

执法数据采集设备

Data Docking Station

KEDACOM

快速安装指南

Quick Start Guide

一 前言

感谢您购买我司产品，如对本公司产品有疑问或需要，请随时和我们联系。我们尽最大努力来保证本手册信息的正确性，如因升级等原因发生信息修改，恕不另行通知。

本手册中的产品外观图仅供参考，请以实物为准。

如需获取最新文档，请至官网下载，官网地址www.kedacom.com。

二 安全说明

此手册的目的是确保用户正确使用本产品，以避免危险或财产损失。在使用产品之前，请认真阅读此手册并妥善保存以备日后参考。如果用户因没有按照以下安全说明，致使设备不能正常使用或损坏等情况，我司概不负责，感谢您的配合。

- 设备使用过程中若遇到任何问题，请及时与当地服务中心联系。请勿以任何方式拆卸或修改设备。
- 请勿将任何物品摔落到设备上或强烈敲击设备。
- 避免将产品暴露在非用户手册所示的工作环境下使用。
- 请您确保设备在允许的温度及湿度范围内工作，避免将设备置于挤压、振动、潮湿、多尘、极热、极冷、强电磁辐射等的场所或场景。
- 使用时不可让水或任何液体流入设备。安装时请严格遵守防水要求，因未做好防水而引起的设备进水故障，我司概不负责。
- 运送设备时，请重新以出厂时的包装进行包装，或用等品质的材质包装。
- 需要替换部件时，请事先与经销商联系，更换指定型号的部件，或与原部件具有相同特性的部件。擅自使用其他部件进行替换，后果将由您自行负责。
- 一般情况下，本设备安装在室内，请确保设备连接处采取有效的防潮气措施（特别是设备连接处的螺钉必须拧紧，确保整体密封性）。为防止雷击，请安装避雷器。
- 本手册能作为多个型号产品的使用指导，但并不一一列举每个产品的使用情况，请您根据实际产品自行对照。
- 本公司保留在没有任何通知或者提示的情况下对本手册内容进行修改的权利，但并不确保手册内容完全没有错误。

【注意】若执法记录仪长期无人使用，请及时从采集设备插槽内取出，避免因长时间充电导致电池出现膨胀、鼓包、变形等异常。

检查安装环境

工作环境	工作电压	额定电压AC100V—240V~50/60HZ (宽电压), 7*24小时不间断工作
	功耗	< 250W
温湿度	工作温度	-10°C~+55°C
	相对湿度	10%~95%RH (无冷凝)

三 安装设备

1. 安装硬盘

用4颗螺丝将硬盘固定到硬盘支架上, 最多可装3块硬盘, 如下图所示。

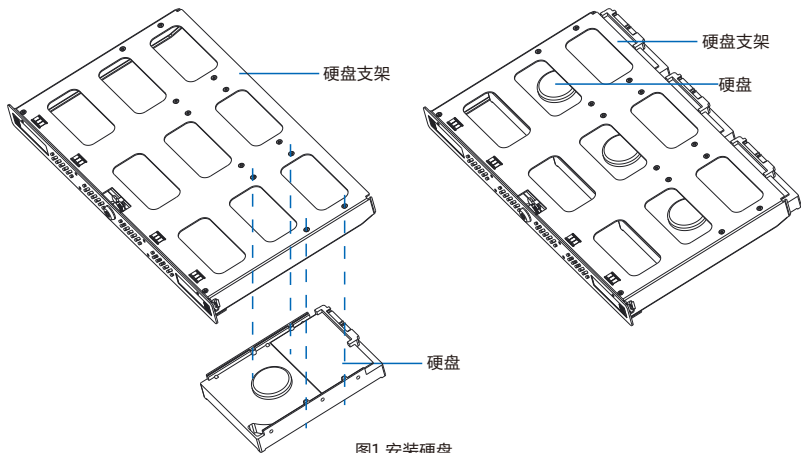


图1 安装硬盘

2. 拨码设置

主模块与扩展坞背面右上角都有拨码开关并贴有调节开关的信息标签，标签信息如下表。确认安装时，需先按照指示调整拨码开关。例如：主模块安装之前，将SW1和SW2的开关均调至OFF状态。

SW1	SW2	备注
OFF	OFF	主模块 (A)
OFF	ON	扩展坞 (B)
ON	OFF	扩展坞 (C)
ON	ON	扩展坞 (D)

3. 安装主模块

1) 在A1、A2、A3、A4所示的十字光标处用钻头打孔（直径约为8mm），并敲入膨胀螺管（共4颗）。

【注意】主模块右边区域为硬盘插拔区，挂置在距离墙边或其他障碍物 $\geq 400\text{mm}$ 处。

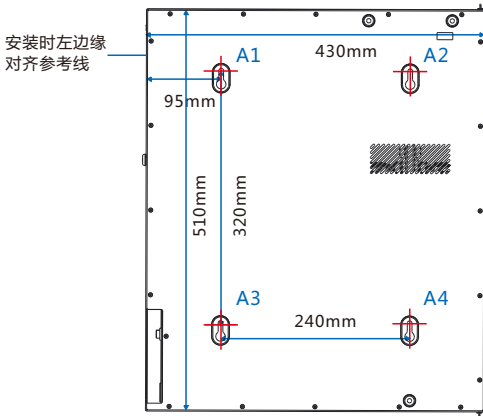


图2 确定打孔位置

2) 在A1、A2、A3、A4处的膨胀螺管上锁上自攻螺栓，螺栓预留5-10mm长度暴露在外。

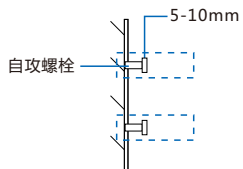


图3 固定螺栓

3) 将设备的左侧与安装提示参考线对齐，将设备举高往下放置使葫芦孔卡进螺丝。

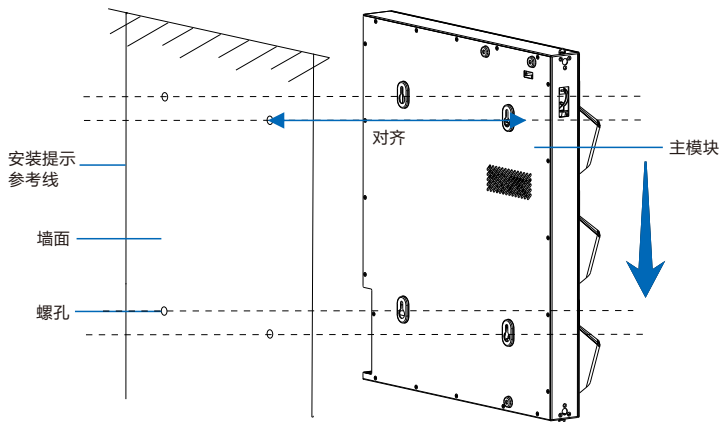


图4 安装主模块

4. 安装扩展坞

1) 在字母A1、A2所示的十字光标处用钻头打孔（直径约为8mm），然后敲入膨胀螺管（共2颗）。

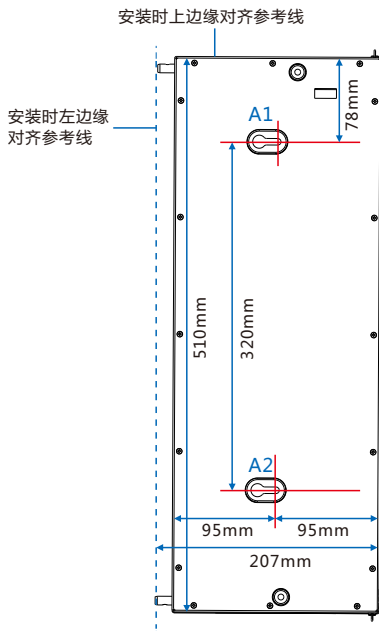
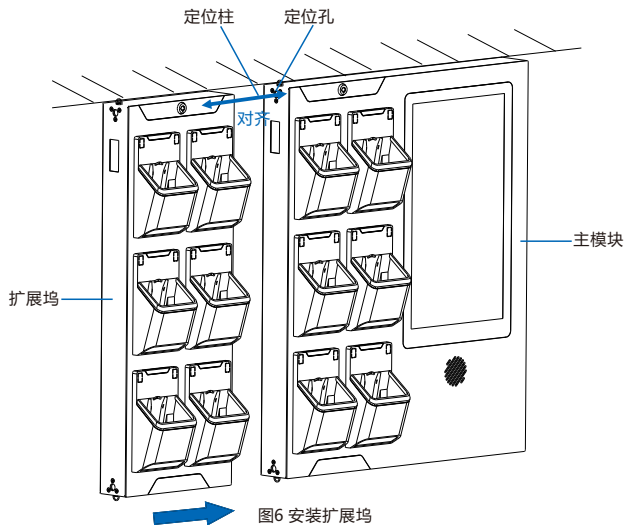


图5 确定打孔位置

- 2) 在字母A1, A2所示的膨胀螺管上锁上自攻螺栓, 螺栓预留5-10mm长度外露在外。
- 3) 将扩展坞的上边缘和左边缘与安装提示线对齐, 此时设备后面的葫芦孔即可挂到A1, A2处的自攻螺栓上。将设备往右推, 扩展坞的定位柱即可插入主模块的定位孔, 扩展坞在葫芦孔处卡紧。



四 桌面支架安装说明

1. 安装支架

扩展槽支架与主模块支架安装方法相同。

【注意】请务必拧紧螺丝。

1) 展开上盖板至合适的安装角度。

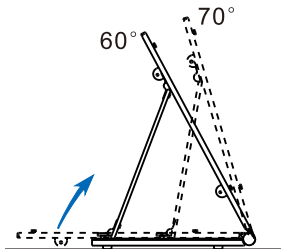


图7 展开上盖板

2) 将支撑板上的U型槽插入底板上的凹槽内，同时对准页孔位与底板定位柱。

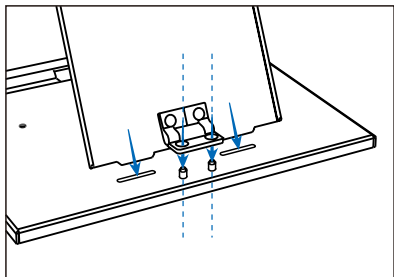


图8 调整支撑板

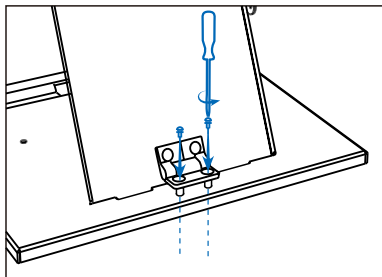


图9 固定支撑板与底板

3) 拧紧螺丝，将支撑板与底板固定。

2. 安装主模块与扩展槽

1) 主模块与支架按下图参考线对齐，将支架上的四颗螺丝钉卡进设备的葫芦孔，自然放下。

【注意】主模块右边区域为硬盘插拔区，放置时需距离墙边或其他障碍物 $\geq 400\text{mm}$ 。

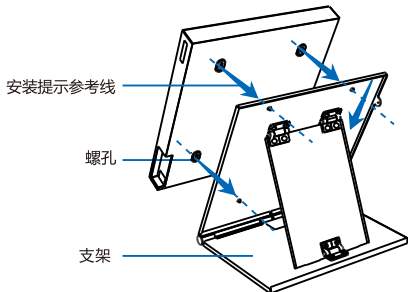


图10 安装主模块

2) 扩展槽与支架按下图参考线对齐，将支架上的两颗螺钉卡进设备的葫芦孔，往右推设备至葫芦孔根部。

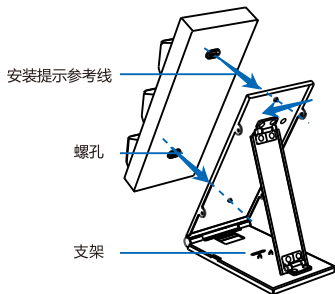


图11 安装扩展槽

3. 固定设备与支架

1) 将扩展槽右侧上下的定位柱插入主模块定位孔，用螺丝将两支架侧边拧紧。

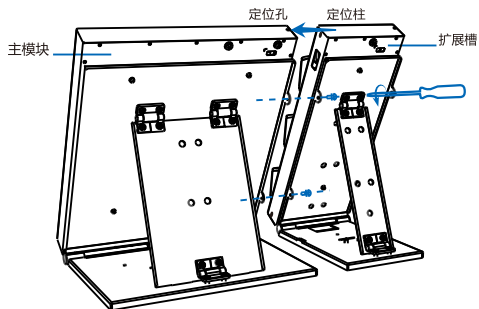


图12 固定主模块与扩展槽

2) 手动将设备上下边缘的螺栓锁紧。

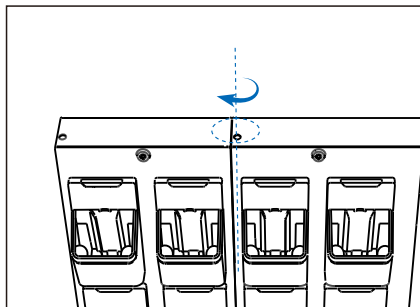


图13 锁紧螺栓

保修说明

本保修卡适用于您购买的本公司系列产品。

1. 终身质保，免费保修期一年，如合同中有另行约定则以合同为准。
2. 凡保修期内，由于本产品自身引起的故障，请与公司售后服务部联系。
3. 保修时我们将使用您的保修卡信息，请认真填写。
4. 以下情况，属于有偿保修范围：
 - 人为原因造成的设备故障
 - 因使用环境不符合本产品要求造成的故障
 - 因不可抗力造成的产品损坏
 - 无保修卡
 - 已过保修期

用户信息

用户名称：

详细地址：

传真：

电话：

邮箱：

邮编：

产品名称：

产品型号：

购买日期：

I Preface

Thank you for purchasing our product. If there are any questions, or requests, please do not hesitate to contact us. Every effort has been made to ensure the accuracy and validity of this Guide. Any update of this Guide is subject to change without notice. Product appearance is subject to the actual products and those in the Guide are for your reference only.

II Safety Instruction

The intention of writing this Guide is to ensure that user can use the product correctly to avoid danger or property loss. Please read this Guide carefully before using, and keep it properly for future reference. If the product cannot work normally or is damaged because the user does not follow the safety instructions, we shall not assume any responsibility. Your cooperation will be highly appreciated.

- Any problem of the device during using, please contact our local service center in time. Never attempt to disassemble or repair the product by yourself in any way.
- Do not drop any object onto the device or subject it to any physical shock.
- Do not expose the device in the environment not defined in this Guide.
- Please make sure the device works in specific temperature and humidity and avoid putting it at squeezing, vibrating, damp, dusty, extremely hot or cold places or place with strong electromagnetic radiation.
- Keep the camera away from water or any liquid. Please strictly follow the waterproofing request during installation. We shall not be responsible for any malfunction of water leakage caused by failure of waterproofing.
- While shipping the device, pack it in the factory packing or use materials with equivalent quality.
- When it is necessary to replace a part, please contact your dealer in advance and replace the part with specified model or part with same features. We shall not assume any responsibility for problems caused by unauthorized replacement.
- Usually, the device is installed indoor, so please make sure that the connection parts have been efficiently made dampproof, especially that the screws at connection parts must be tightened up to ensure the general tightness. Please install a lightning arrester to prevent lightning stroke.
- This Guide is made as reference for multiple models but it will not list their installations one by one. Please refer to it according to the actual model by yourself.
- This company reserves the right to modify the content of the Guide without any notice or prompt, but we do not assure that all the content is completely correct.

[Note] If you are not using a body worn camera (BWC) for a long period of time, please disconnect it from the data docking station. This is to prevent the internal BWC battery from deforming/expanding/distorting caused by long time charging.

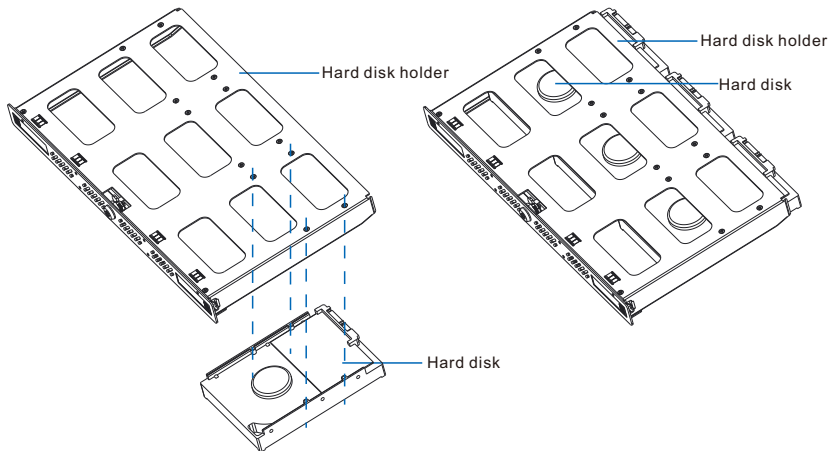
Check the installation environment

Working Environment	Working Voltage	Rated voltage: AC100V - 240V ~ 50/60HZ (wide voltage), non-stop working of 7*24hrs
	Power Consumption	<250W
Temperature and Humidity	Working Temperature	-10 °C ~ +55 °C
	Relative Humidity	10% ~ 95%RH (non-condensing)

III Preparation

1) Install Hard Disk

Fix the hard disk onto the hard disk holder with 4 screws. Max 3 hard disks can be mounted, as shown below.



Picture 1 Install hard disks

2) Dial Switch Setting

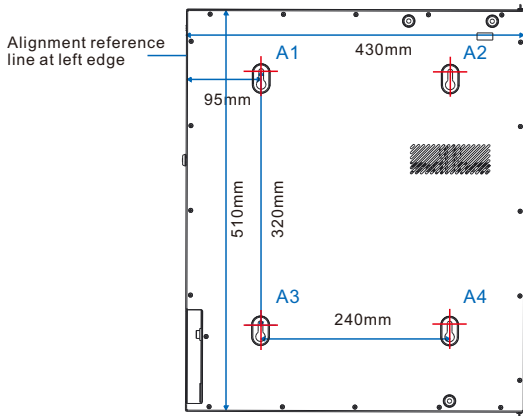
There are dial switches and tags at the top right corner on the back of the main module and the docks. The tags are indicated below. When installing the device, please adjust the dial switches according to the instructions. For example, before installing the main module, dial both SW1 and SW2 switches to OFF.

SW1	SW2	Note
OFF	OFF	Main module (A)
OFF	ON	Dock (B)
ON	OFF	Dock (C)
ON	ON	Dock (D)

3) Install Main Module

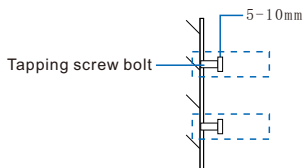
(1) Drill holes with a drill (diameter of 8mm) at the cross cursor of letters (A1, A2, A3 and A4) and then strike the expansion screw tubes into the holes (4pcs in total).

[Notice] The right part on the main module is for inserting hard disks, so when hanging it, reserve at least 400mm distance from it to the wall or other obstacles.



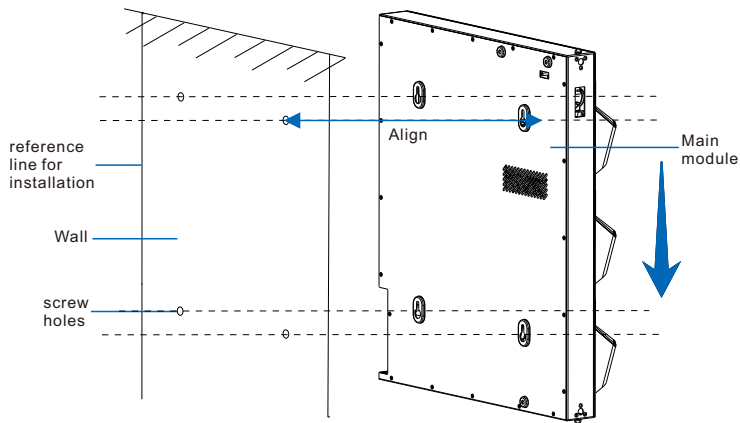
Picture 2 Confirm hole positions

(2) Lock the tapping screw bolts on the expansion screw tubes at A1, A2, A3 and A4, reserving 5-10mm distance of the screw bolts external.



Picture 3 Fix screw bolts

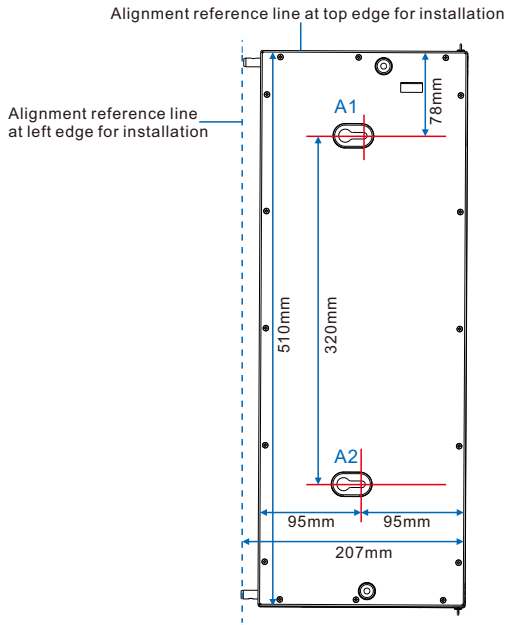
(3) Align the left side of the device to the reference lines for installation. Place the device downward from the top and lock the hardy holes into the screws.



Picture 4 Install main module

4) Install Docks

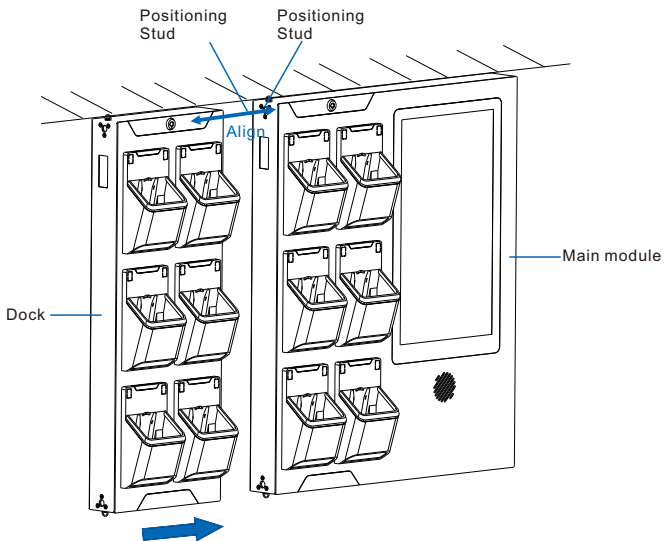
(1) Drill holes with a drill (diameter of 8mm) at the cross cursor of letters (A1 and A2) and then strike the expansion screw tubes into the holes (2pcs in total).



Picture 5 Confirm hole position

(2) Lock the tapping screw bolts on the expansion screw tubes at A1 and A2, reserving 5-10mm distance of the screw bolts external.

(3) Align the top and the left sides of the dock to the reference lines for installation and thus the hardy holes at the back of the device will be able to hang on the tapping screw bolts at A1 and A2. Push the device to the right and the positioning studs will be able to insert into the positioning holes on the main module and the dock can be locked tight at the hardy holes.



Picture 6 Install docks

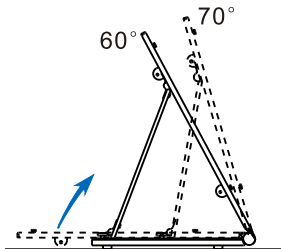
IV Desk Mount

1. Mount Bracket

The mount method of the dock bracket is the same as that of the main module.

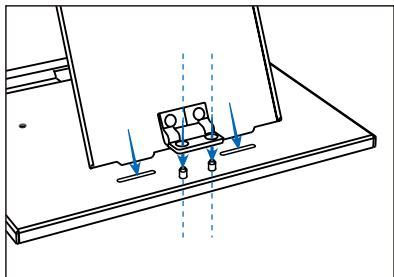
[Note] Please tighten the screws.

- 1). Unfold the covering board to proper angle.

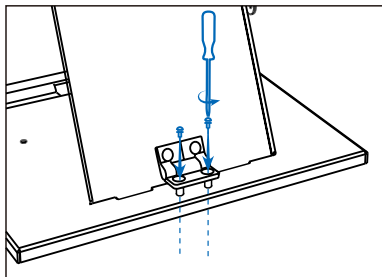


Picture 7 Unfold covering board

- 2). Insert the U-shaped slot on the supporting board into the groove on the base board. Meanwhile, align the hinge holes to the positioning studs on the base board.



Picture 8 Adjust supporting board



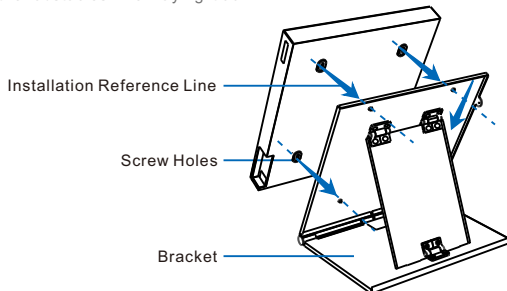
Picture 9 Fix supporting board and base board

- 3). Tighten screws and fix the supporting board and the base board.

2. Mount Main Module and Docks

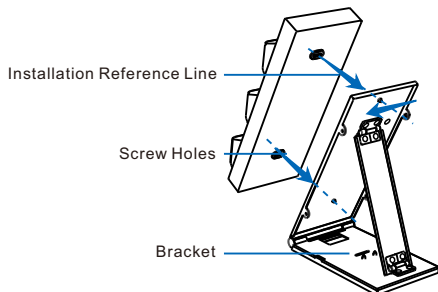
- 1). Align the main module to the bracket according to the following picture, and stick the four screws on the bracket into the hardy holes of the device, and lay it down naturally.

[Note] The right side of the main module is for hard disks and an area $\geq 400\text{mm}$ should be reserved from the wall or other obstacles when laying it down.



Picture 10 Mount main module

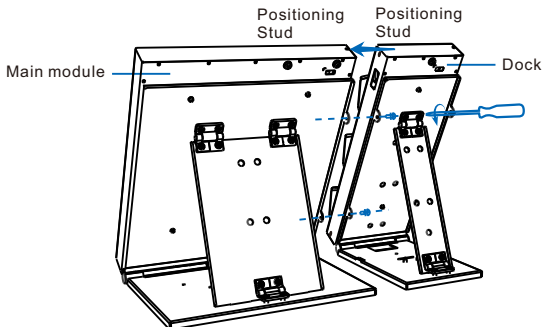
- 2). Align the docks to the reference line on the bracket as shown below and stick the two screws on the bracket into the hardy holes and push the device rightward till the end of the hardy holes.



Picture 11 Mount docks

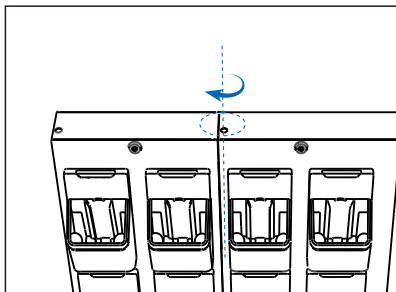
3. Fix Device and Bracket

- 1). Insert the positioning studs on the right side of the dock into the positioning holes on the main module and tighten the two brackets with screws.



Picture 12 Fix main module and dock

- 2). Tighten the screw bolts on the device manually.



Picture 13 Lock screw bolts

Kedacom Two (2) Year Limited Hardware Warranty

WHAT IS COVERED BY THIS WARRANTY?

Kedacom warrants the Kedacom-branded hardware product and accessories contained in the original packaging (hereinafter referred to as "Kedacom Product") against defects in materials and workmanship when used normally in accordance with Kedacom's published guidelines for a period of TWO (2) YEARS from the date of original retail purchase in areas other than mainland China by the end-user purchaser (hereinafter referred to as "Warranty Period"). For the Kedacom Product purchased in mainland China, see the simplified Chinese version of this warranty for details. Kedacom's published guidelines include but are not limited to information contained in technical specifications, user guides, and service communications. The preceding applies unless otherwise agreed in the contract.

WHAT IS NOT COVERED BY THIS WARRANTY?

This warranty does not apply to any non-Kedacom branded hardware products or any software, even if packaged or sold with Kedacom hardware. Manufacturers, suppliers, or publishers, other than Kedacom, may provide their own warranties to you but Kedacom, in so far as permitted by law, provides their products "AS IS". Software distributed by Kedacom with or without the Kedacom brand (including, but not limited to system software) is not covered by this warranty. Please refer to the licensing agreement accompanying the software for details of your rights with respect to its use. Kedacom does not warrant that the operation of the Kedacom Product will be uninterrupted or error-free. Kedacom is not responsible for damage arising from failures to follow instructions relating to the Kedacom Product's use.

This warranty does not apply: (a) to consumable parts, such as batteries, unless failure has occurred due to a defect in materials or workmanship; (b) to cosmetic damage, including but not limited to scratches, dents, and broken plastic on ports; (c) to damage caused by use with another product; (d) to damage caused by acts outside the control of Kedacom, including without limitation acts of God, accidents, abuse, misuse, fire, storms, earthquakes, flood, or other external cause; (e) to damage caused by exposure of the product to heat, bright light, sun, liquids, sand, or other contaminants; (f) to damage caused by operating the Kedacom Product outside Kedacom's published guidelines; (g) to damage caused by service (including upgrades and expansions) performed by anyone other than a representative of Kedacom, Kedacom employee, or authorized Kedacom agent; (h) to an Kedacom Product that has been modified to alter functionality or capability without the written permission of Kedacom; (i) to defects caused by normal wear and tear or otherwise due to the normal aging of the Kedacom Product, or (j) if any serial number has been removed or defaced from the Kedacom Product.

YOUR RESPONSIBILITIES

If your Kedacom product is capable of storing data and other information, you should make periodic backup copies of the information contained on the storage media to protect the contents and as a precaution against possible operational failures.

Before receiving warranty service, Kedacom or its authorized agents may require that you furnish proof of purchase details, respond to questions designed to assist with diagnosing potential issues, and follow Kedacom's procedures for obtaining warranty service. Before submitting your Kedacom Product for warranty service, you should maintain a separate backup copy of the contents of its storage media, remove all personal information that you want to protect, and disable all security passwords.

During warranty service, it is possible that the contents of the Kedacom product's storage media will be lost, replaced or reformatted. In such an event, Kedacom and its authorized agents are not responsible for any loss of data or other information contained on the storage media or any other part of the Kedacom product serviced.

Following warranty service, your Kedacom Product or a replacement product will be returned to you as your Kedacom Product was configured when originally purchased, subject to applicable updates. You will be responsible for reinstalling all other data and information. Recovery and reinstallation of other data and information are not covered under this warranty.

WHAT WILL KEDACOM DO IF THE WARRANTY IS BREACHED?

If during the Warranty Period, you submit a valid claim to Kedacom or an authorized Kedacom agent, Kedacom will, at its option, (i) repair the Kedacom Product using new or previously used parts that are equivalent to new in performance and reliability, or (ii) exchange the Kedacom Product for a refund of your purchase price.

A Kedacom replacement part or product, including a user-installable Kedacom part that has been installed in accordance with instructions provided by Kedacom, assumes the remaining warranty of the Kedacom Product or ninety (90) days from the date of replacement or repair, whichever provides longer coverage for you. When a product or part is replaced or a refund provided, any replacement item becomes your property and the replaced or refunded item becomes Kedacom's property. Kedacom reserves the right to refund the purchase price as its exclusive warranty remedy.

HOW TO OBTAIN WARRANTY SERVICE?

To seek warranty service, please contact a local authorized Kedacom agent. When contacting the agent via telephone, other charges may apply depending on your location.

User Information

Complete the form below and keep for ready reference.

User Name:	
Address:	Postal Code:
Tel:	Mobile:
Fax:	E-Mail:
Product Name:	Product Model:
Date of Purchase:	

客户咨询热线：400-828-2866

KEDACOM

苏州科达科技股份有限公司

Suzhou Keda Technology Co.,Ltd.

中国: 江苏省苏州市高新区金山路131号(215011)

Tel: +86-512-6841 8188 Fax: 86-512-68412699

Suzhou Keda Technology Co.,Ltd.

Singapore: 627A Aljunied Road, #09-07, BizTech Centre, Singapore 389842

Tel: +65-6842-5700 Fax: +65-6842-5900

05.03.800846 (V1.4) 20200508